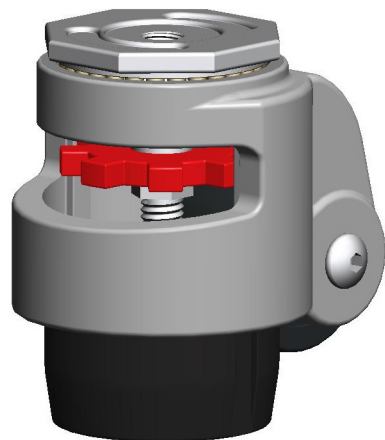
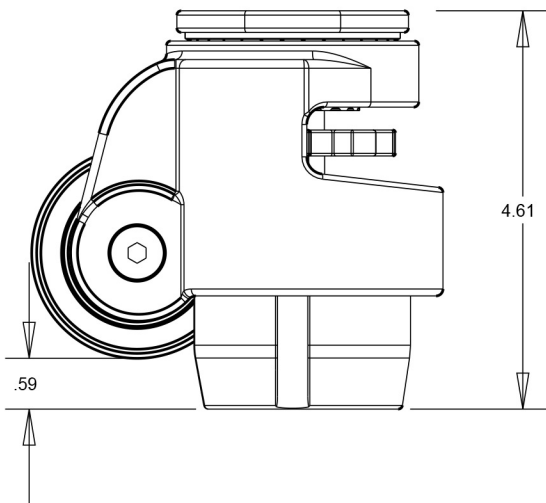
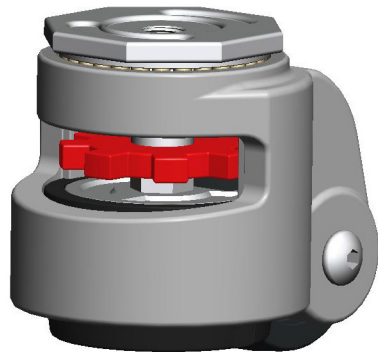
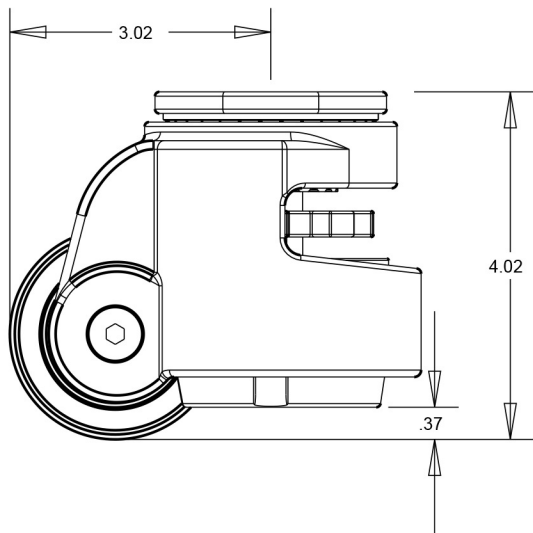


EXTENDED FOOT PAD



RETRACTED FOOT PAD



CASTER CITY

8635 Bright Angel Way
Las Vegas, NV 89149
800-501-3808

REVISIONS:

DATE	#	COMMENT	BY

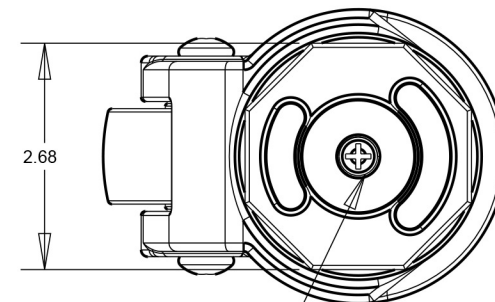
PART NO: LV0600V4

DIMENSIONS AND TOLERANCE ARE IN INCHES UNLESS SPECIFIED:
X ±0.1 .X ±0.06 .XX ±0.01 FRACTION ±1/16 ANGLES ±1°

SPECIFICATIONS:

1. MATERIAL: DIE CAST ALUMINIUM FRAME WITH A STEEL SWIVEL
2. LEVELING FOOT PAD
3. ADJUSTABLE RANGE: +.59
4. HIGH STRENGTH NON-MARKING NYLON WHEEL
5. STATIONARY LOAD CAPACITY: 1300 LBS

DATE	12/22/0215
SCALE	
PAGE	1 OF 1
DRAWN BY	E.T.
APPROVED BY	S.C.



12MM THREADED HOLLOW KINGPIN M12

