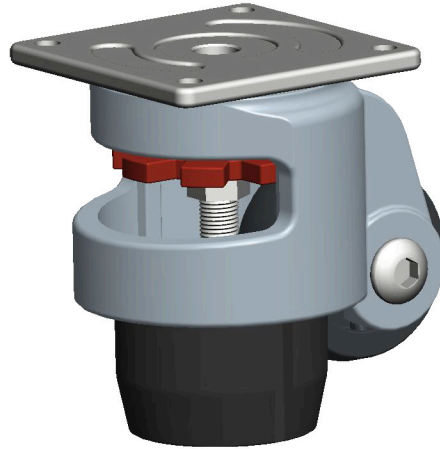
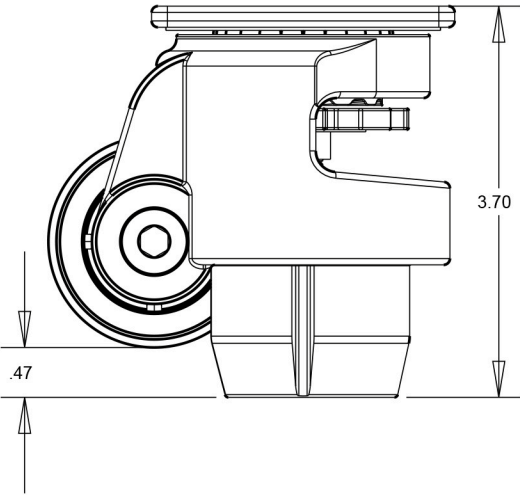
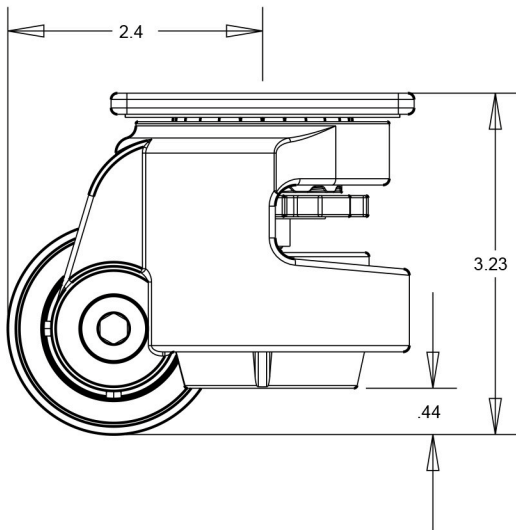


EXTENDED FOOT PAD



RETRACTED FOOT PAD



**CASTER CITY**

8635 Bright Angel Way  
Las Vegas, NV 89149  
800-501-3808

REVISIONS:

DATE	#	COMMENT	BY

PART NO: LV0300V4

DIMENSIONS AND TOLERANCE ARE IN INCHES UNLESS SPECIFIED:  
X ±1 .X ±0.5 .XX ±0.25 FRACTION ±1/16 ANGLES ±1°

SPECIFICATIONS:

1. MATERIAL: DIE CAST ALUMINUM FRAME WITH STEEL SWIVEL
2. LEVELING FOOT PAD
3. ADJUSTABLE RANGE: +.47
4. HIGH STRENGTH NON MARKING NYLON WHEEL
5. STATIC LOAD CAPACITY: 600 LBS

DATE	10/30/2015
SCALE	
PAGE	1 OF 1
DRAWN BY	E.T.
APPROVED BY	S.C.

